

# Data Sheet

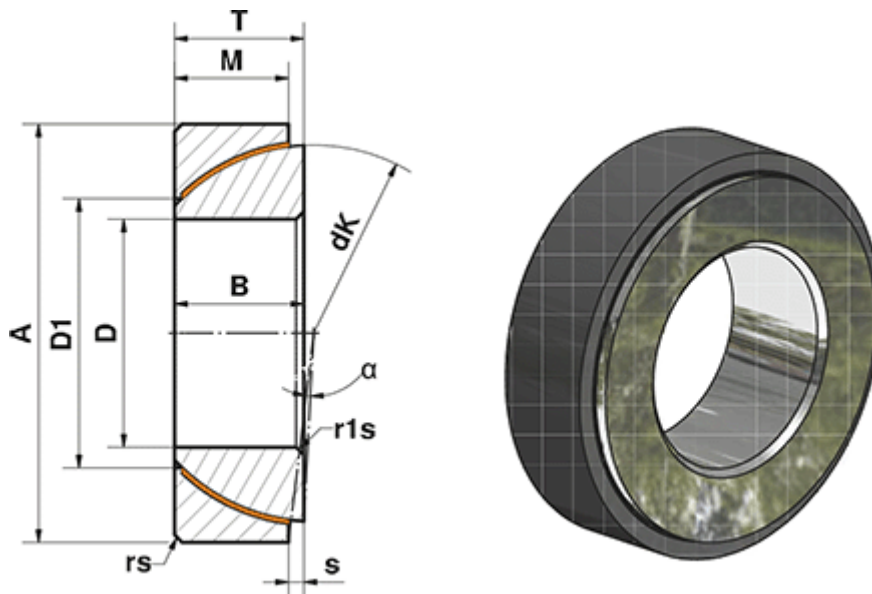


Article number: 03449170

Description: Fluro Heavy Duty Spherical Plain Bearing GE 170 SWE  
Hole Ø170

Note: 170

## Measures



A	= 260	rs, r1s min	= 3
a (degrees)	= 1	S	= 21
B	= 57	Static load C0 (kN)	= 5872
D	= 170	T	= 57
D1	= 194.4	Weight (g)	= 12300
dK	= 246		
Dynamic load C (kN)	= 3523		
M	= 55		